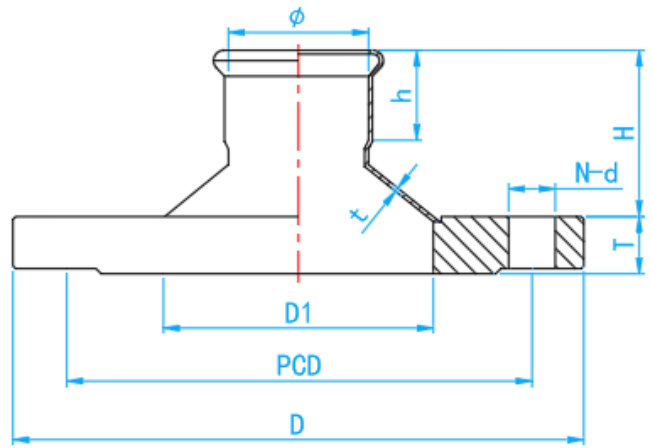


STAINLESS STEEL 304 PRESS FIT FITTINGS (M PROFILE)

COMPLY WITH BSEN1254-2: 1998
AS 3688: 2005
AS/NZS 4020: 2005
SS 375: 2015
SS 270: 2015
BS 4504 PN16



PRESSFIT FLANGE REDUCE SOCKET



CROSS SECTIONAL VIEW

DIMENSIONS

SKU	∅ (mm)	D (mm)	PCD (mm)	D1 (mm)	NO.S OF HOLS	d (mm)	T (mm)	H (mm)	h (mm)	t (mm)	WEIGHT (kg)
SSPFNFLS08050	54	200	160	85	8	14	20	59	36	1.5	3.92
SSPFNFLS08065	67	200	160	85	8	14	20	74	50	2.0	4.02
SSPFNFLS10050	54	220	180	104	8	14	20	65	36	1.5	4.31
SSPFNFLS10065	67	220	180	104	8	18	20	85	50	2.0	4.42
SSPFNFLS10080	76	220	180	104	8	18	20	85	53	2.0	4.46
SSPFNFLS150065	67	285	240	154	8	18	24	116	50	2.0	8.20
SSPFNFLS150080	76	285	240	154	8	18	24	121	53	2.0	8.23
SSPFNFLS150100	108	285	240	154	8	18	24	140	75	2.0	8.48